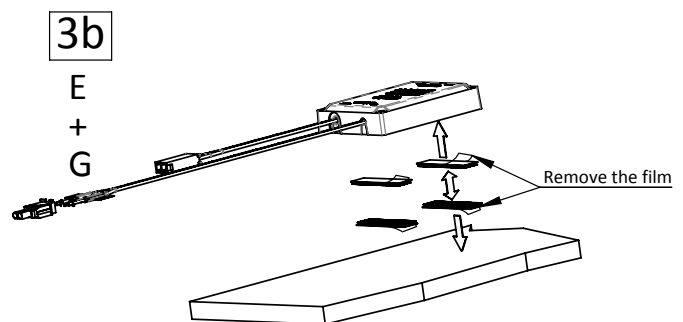
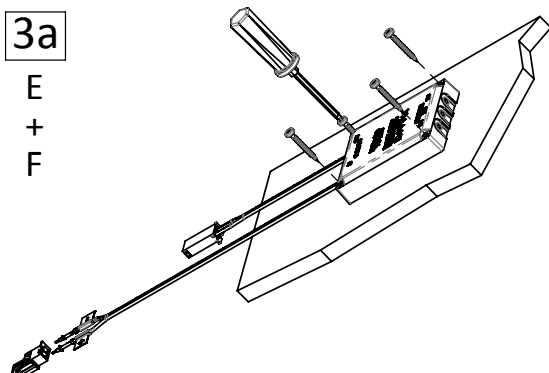
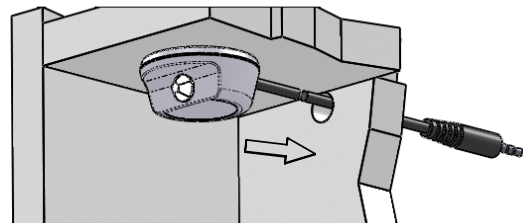
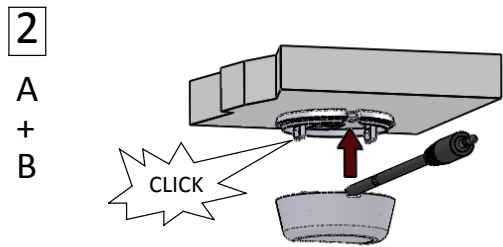
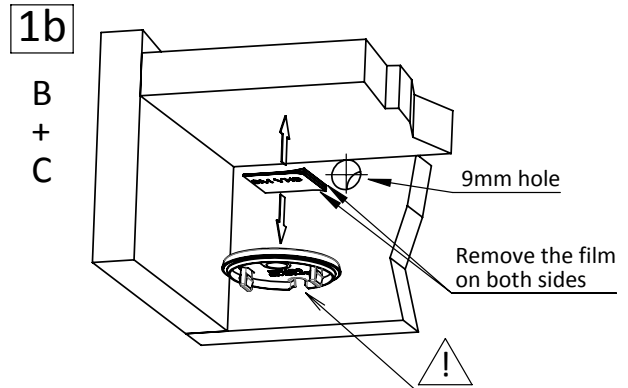
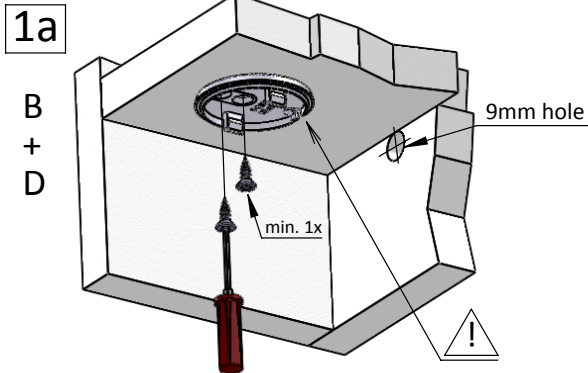
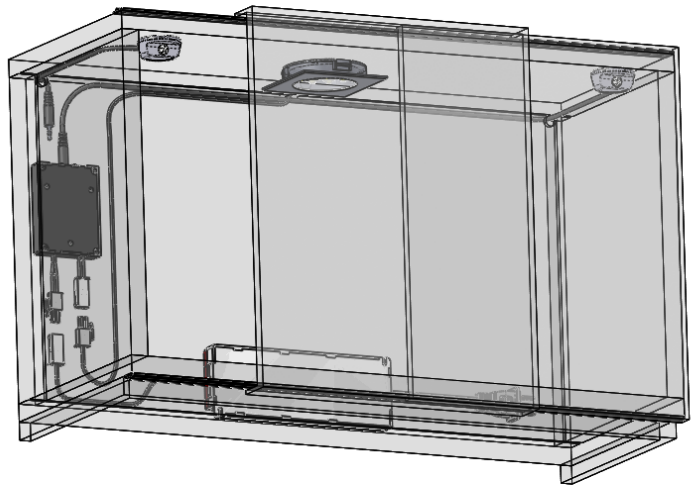
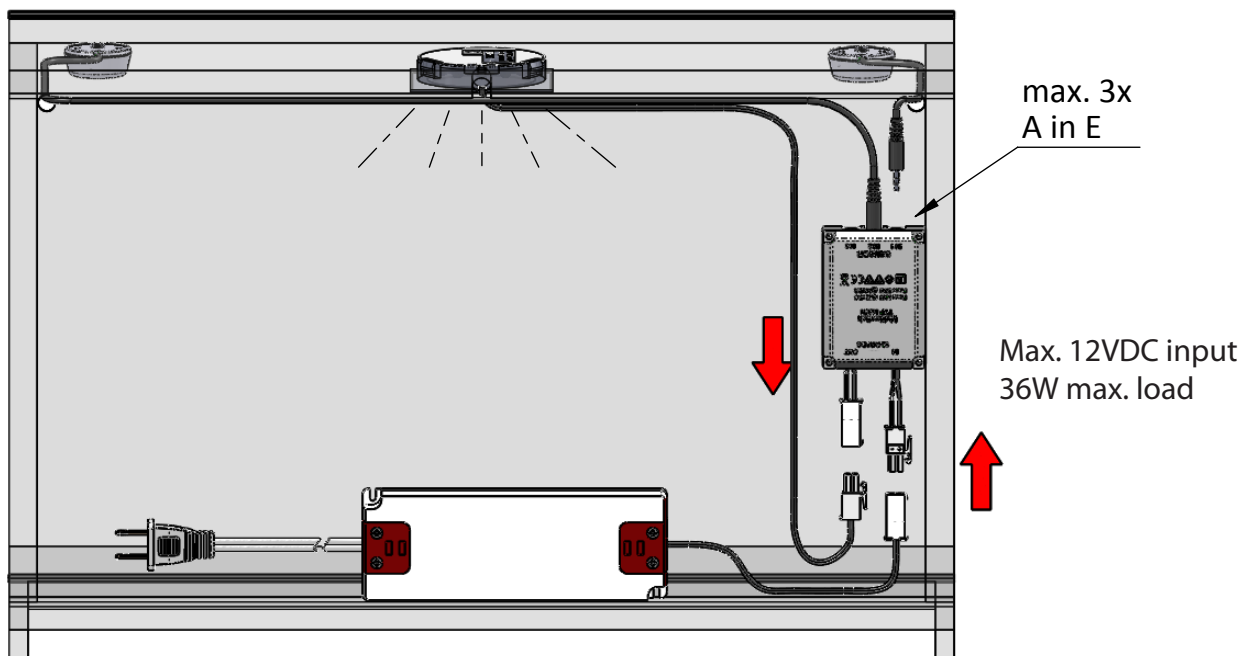


SUMMARY

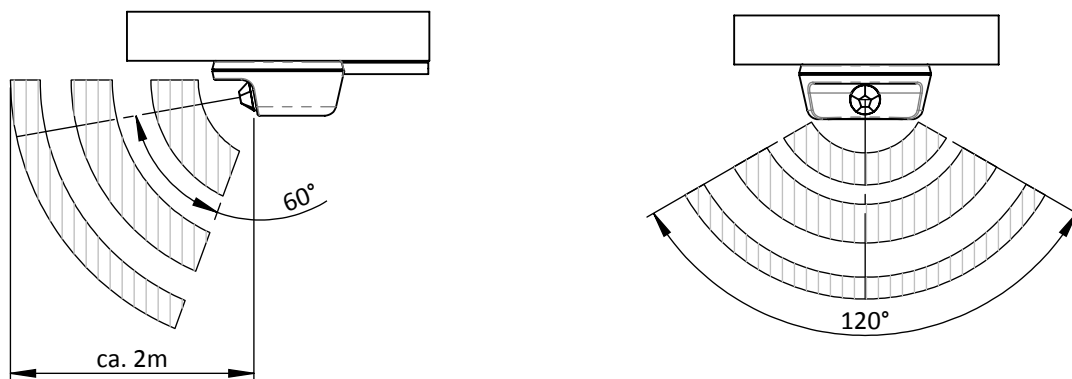


4

A
+
E

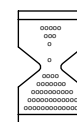


Detection range



Function description

The lighting is switched on when operating voltage is applied to "Multi-Switch Control Unit"; the unit then installs automatically for approx. 30 seconds and is subsequently ready for operation. The lighting switches on for approx. 10 seconds when motion is detected. The time interval is set once more to 10 seconds every time a renewed motion is detected. Switch in each case using soft ON & soft OFF.



10 s

